

# PS1, PS1 V PLEATED INSECT SCREEN

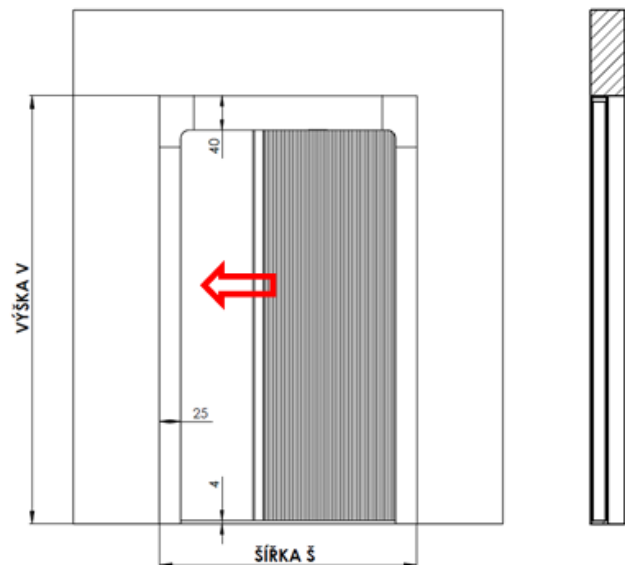
## 1. MEASUREMENT

### 1.1. Measurement for reveal

Measure the width and height of the opening to which the screen is to be inserted. Measure in three places, record the smallest measurement.

VÝŠKA V – HEIGHT H

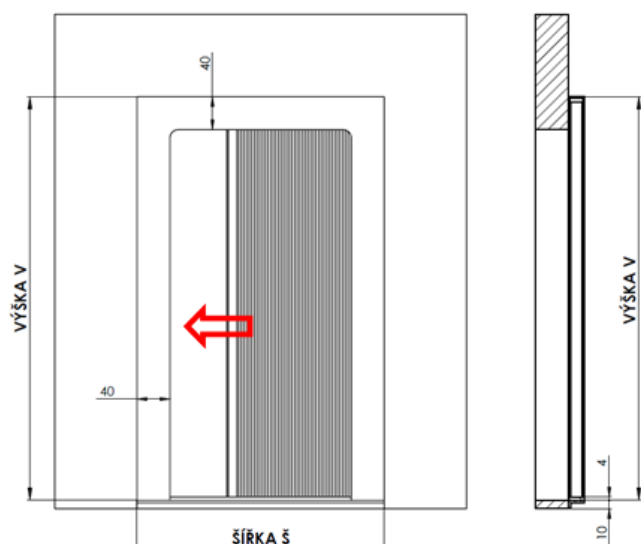
ŠÍŘKA Š – WIDTH W



### 1.2. Measurement for frame

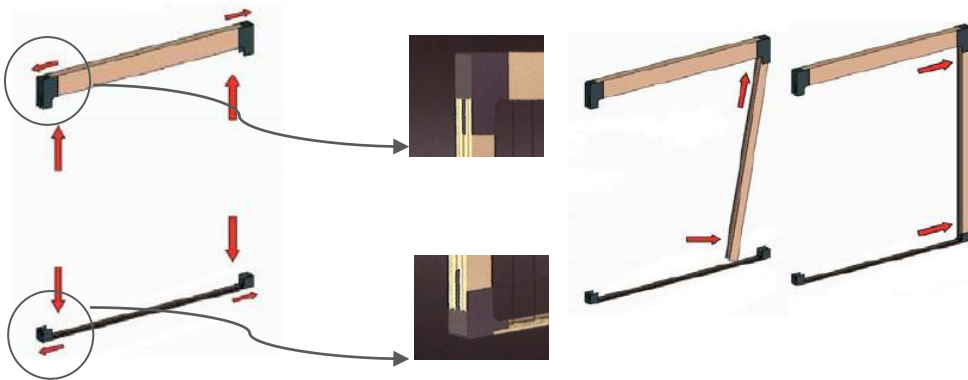
Measure the outer dimensions of the screen.

The standard delivery of the screen includes the 10×20 mm profile which may serve as a false sill. It is not part of the screen manufacturing height.



## 2. INSTALLATION

### 2.1. INSTALLATION TO REVEAL



#### 2.1.1. Installing the frame

Fit the plastic corners to the upper profile. Remove the protective film and attach the upper profile to the place of installation. Adjust any length deviations by moving the plastic corner pieces.

Insert the side vertical profile to the upper plastic corner piece, first to the upper corner, then to the lower corner, and fasten with the screws supplied.

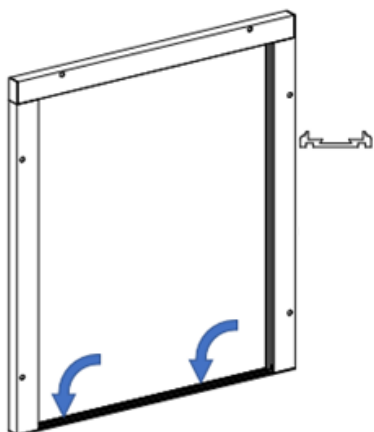


#### 2.1.2. Installing the guide profile on the opposite side

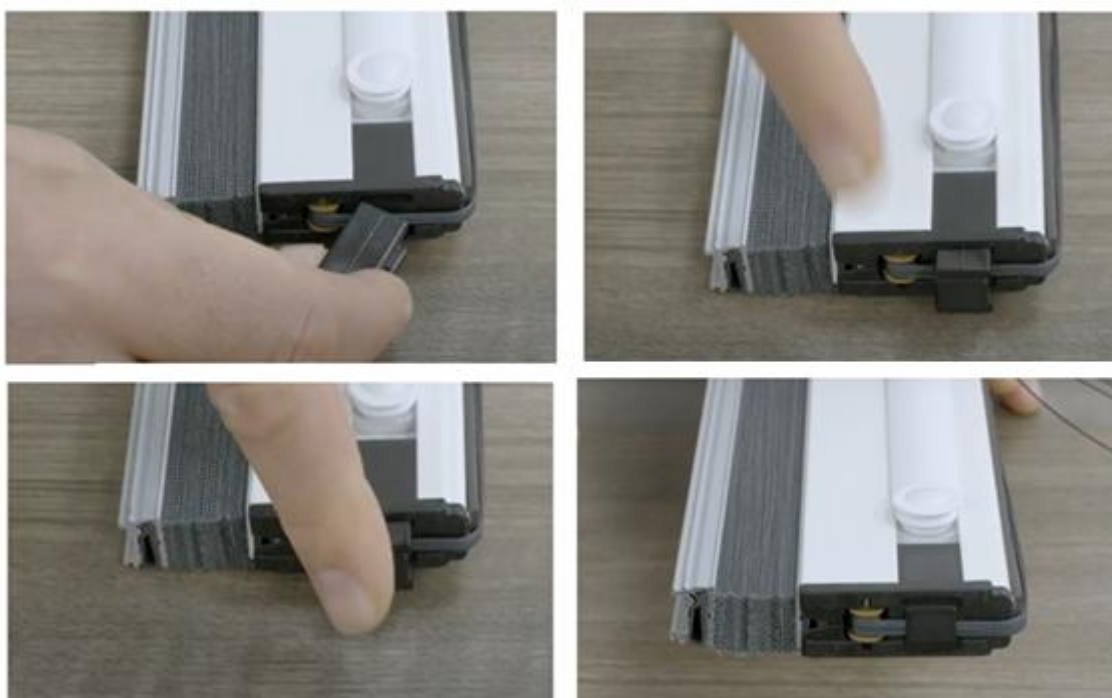
Insert the vertical guide profile on the opposite side to the plastic corner piece, first to the upper corner, then to the lower corner, and fasten with the screws supplied.

### 2.1.3. Installing the lower guide profile

Remove the protective film and attach the lower profile to the place of installation (floor).



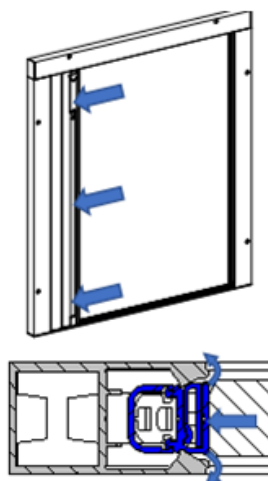
### 2.1.4. Locking the moving rail



Fit the plastic component from below to the chambers of the lower carriage under the moving rail. The cords must be under the plastic!

### 2.1.5. Inserting and fastening the insect screen kit

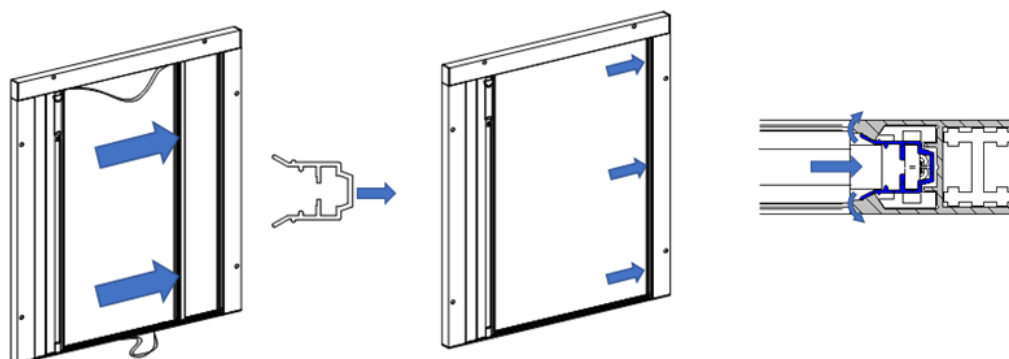
Insert the packet – kit with the screen in the upper profile and lower rail according to the desired direction of travel of the screen. Move the packet with the screen to the side vertical profile. Push the packet with the screen to side profile, until it fits to its desired place (all the way). Always start pushing from the bottom.



The bottom part of the kit has the cords 3 cm from the bottom edge of the screen.

### 2.1.6. Inserting the magnet guide profile

Guide the upper and lower sliders to the vertical magnet profile, in the dedicated groove. Insert the upper and lower cord guides. Push the prepared magnet profile in the side vertical profile, until it fits to its desired place. Always start pushing from the bottom.

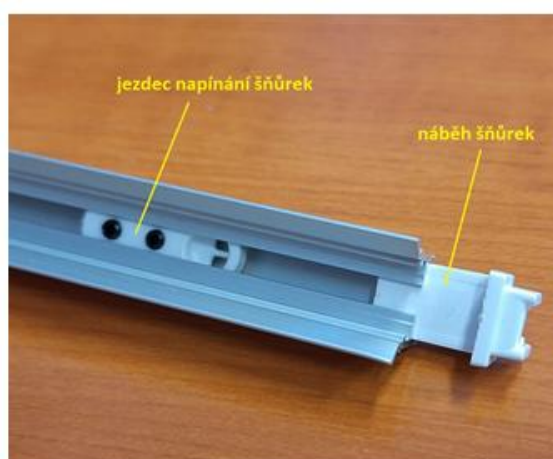
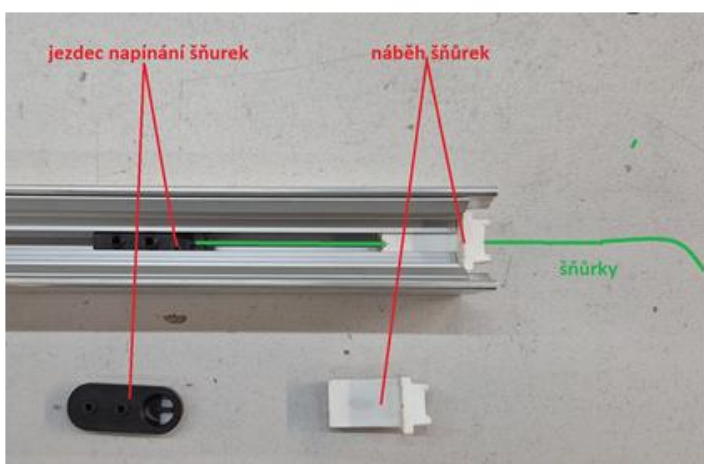
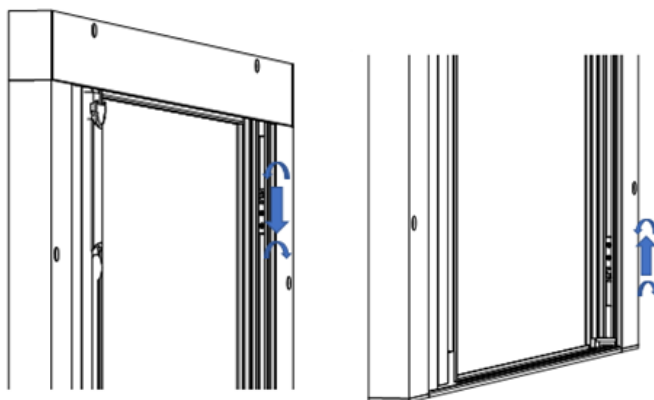


### 2.1.7. Adjusting the tension cords

Adjust the cord tension by moving the **upper** adjusting slider. Check the screen cord tensioning, shut and open the screen several times, fine-adjust the cord tensioning, if needed, by moving the upper or lower adjusting slider.

Adjust the cord tension by moving the **lower** adjusting slider. Check the screen cord tensioning, shut and open the screen several times, fine-adjust the cord tensioning, if needed, by moving the lower or upper adjusting slider.

The best procedure is as follows: one operator completely pushes the screen to the end position and holds the upper and lower parts of the screen, while the other operator uses the tightening sliders to tighten the screen in the magnet profile.



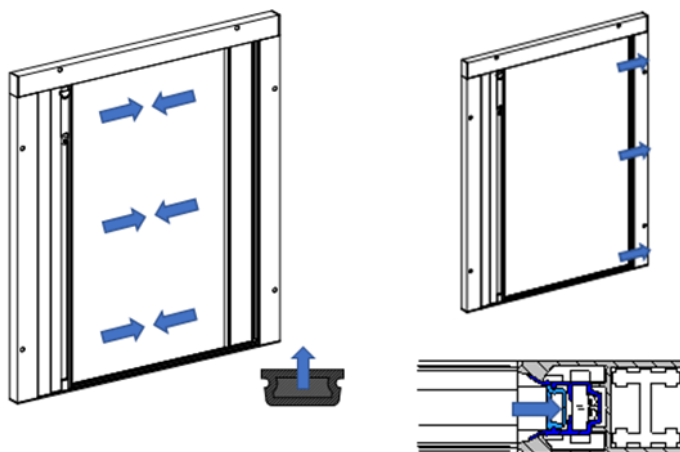
*jezdec napínání šňůrek – cord tensioning slider*

*náběh šňůrek – cord guide*

*šňůrky – cords*

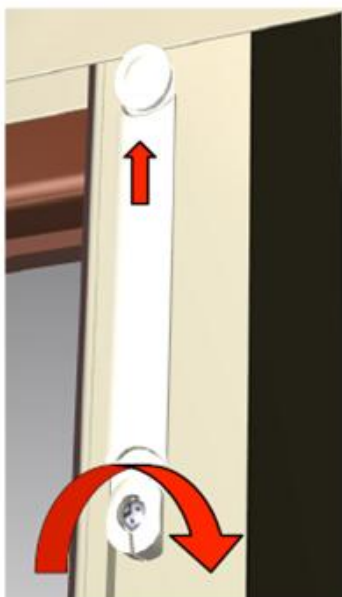
### 2.1.8. Inserting the magnet

Check the correct polarity of the magnet against the KIT magnet polarity. Insert the magnet in the magnet guide profile by pushing until it fits to its desired place. Always start pushing from the bottom.



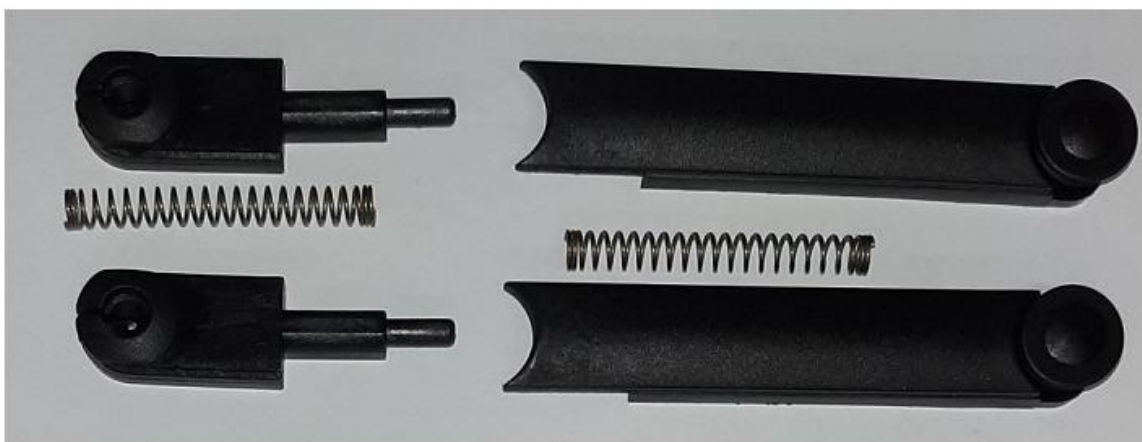
### 2.1.9. Plastic part with a spring

This component is especially recommended for doors that are not at right angles. If the door is at right angles, it is not necessary to use it. Insert the plastic part with the spring in the moving rail of the kit profile after first removing the lower carriage block. Slightly push the plastic part towards the upper profile and fasten with screw. The plastic part must be elastic. Install in the upper part, from both the outside and inside.

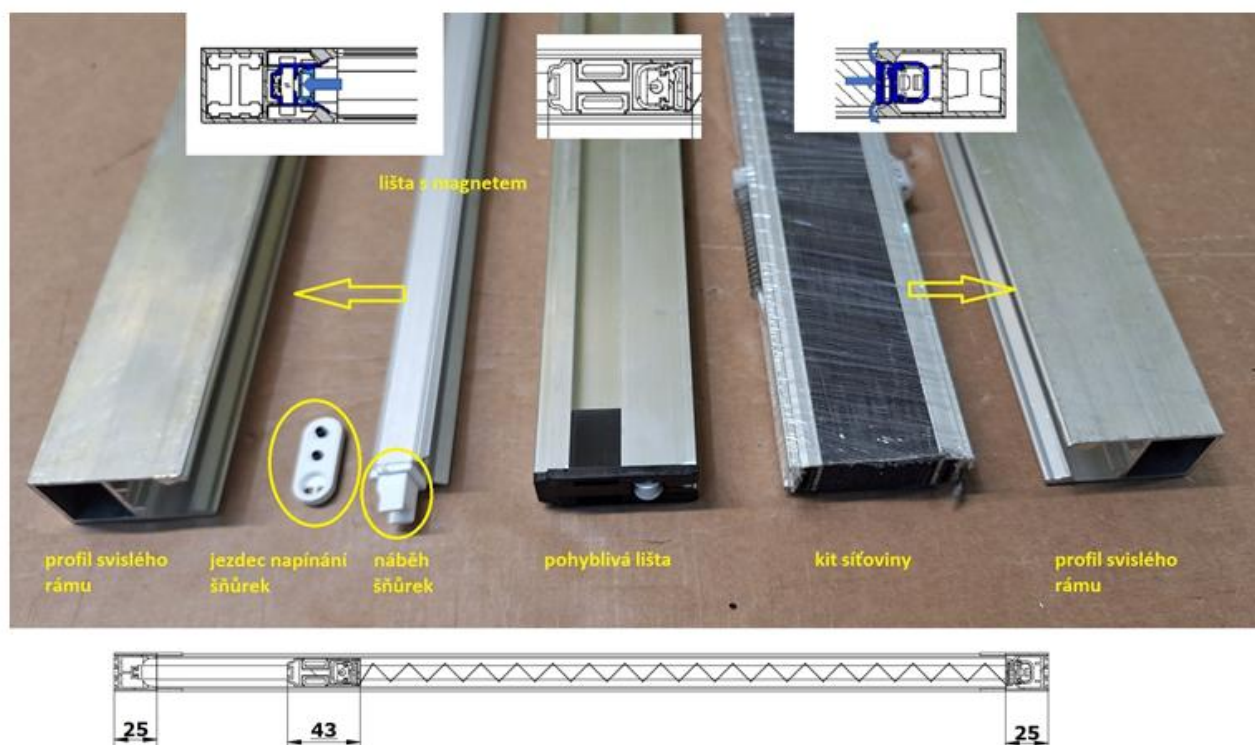


*Dotlačit nadoraz – push up all the way*

*Šroubek na zajištění profilu – screw to fasten the profile*

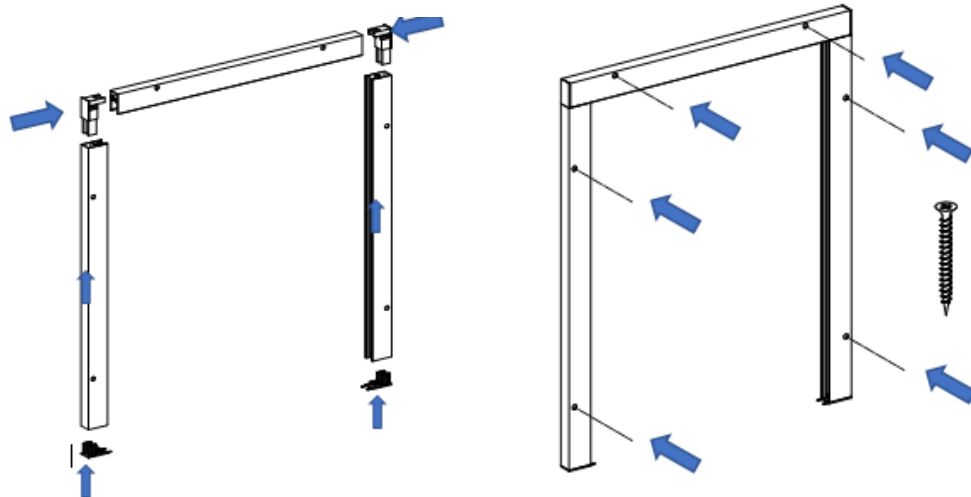


### 2.1.10. Composition and sequence of the profiles



lišta s magnetem – rail with magnet  
 profil svislého rámu – vertical frame profile  
 jezdec napínání šňůrek – cord tensioning slider  
 náběh šňůrek – cord guide  
 pohyblivá lišta – moving rail  
 kit síťoviny – screen kit  
 profil svislého rámu – vertical frame profile

## 2.2. INSTALLATION TO FRAME

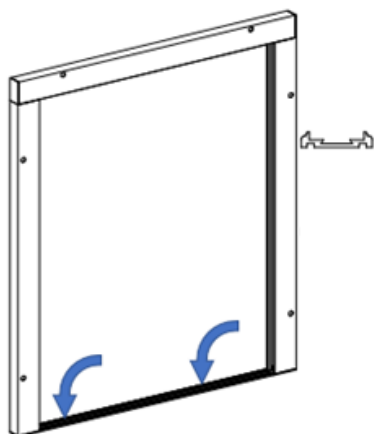


**2.2.1.** Assemble the frame from the upper and side guide profiles.

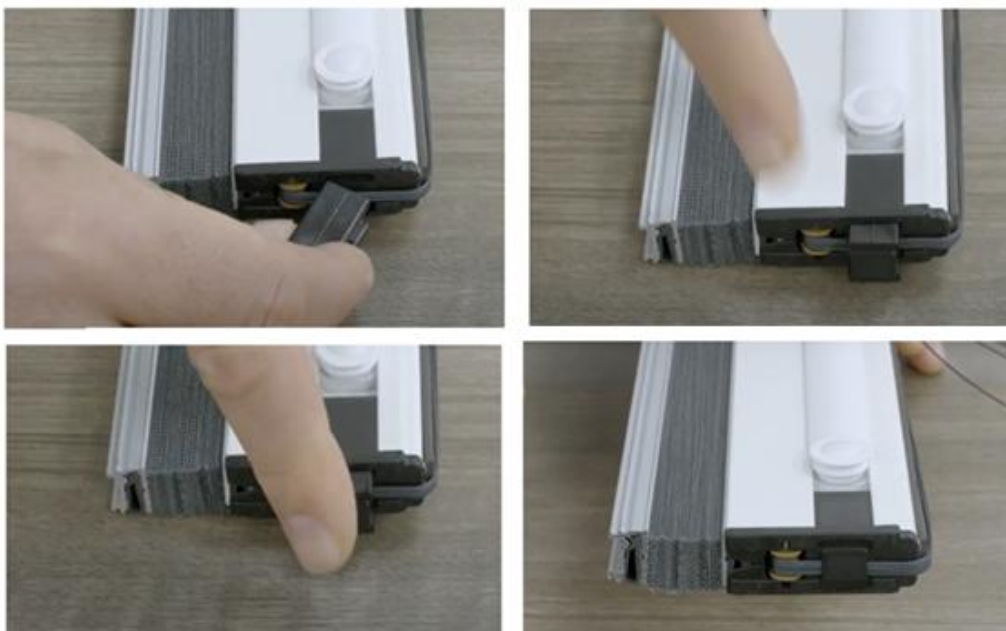
**2.2.2.** Use screws to fasten the frame in the reveal.

### 2.2.3. Installing the lower guide profile

Remove the protective film and attach the lower profile to the place of installation (floor).



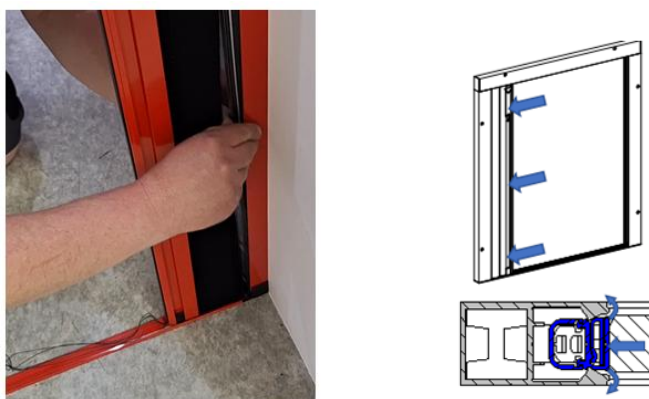
### 2.2.4. Locking the moving rail



Fit the plastic component from below to the chambers of the lower carriage under the moving rail. The cords must be under the plastic!

### 2.2.5. Inserting and fastening the insect screen kit

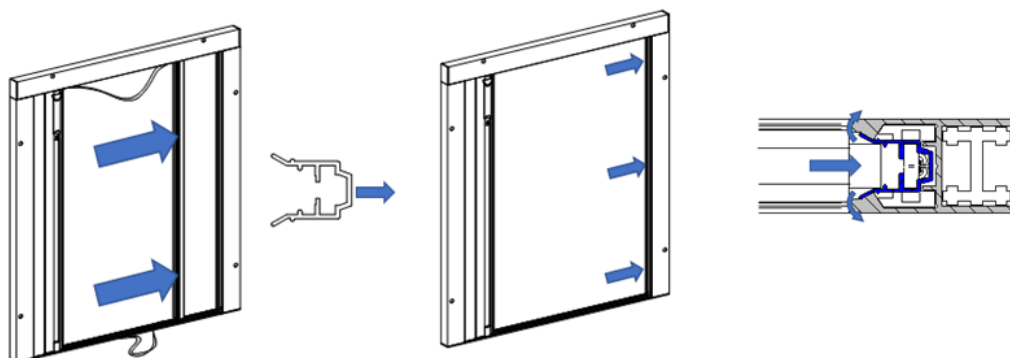
Insert the packet – kit with the screen in the upper profile and lower rail according to the desired direction of travel of the screen. Move the packet with the screen to the side vertical profile. Push the packet with the screen to side profile, until it fits to its desired place (all the way). Always start pushing from the bottom.



The bottom part of the kit has the cords 3 cm from the bottom edge of the screen.

### 2.2.6. Inserting the magnet guide profile

Guide the upper and lower sliders to the vertical magnet profile, in the dedicated groove. Insert the upper and lower cord guides. Push the prepared magnet profile in the side vertical profile, until it fits to its desired place. Always start pushing from the bottom

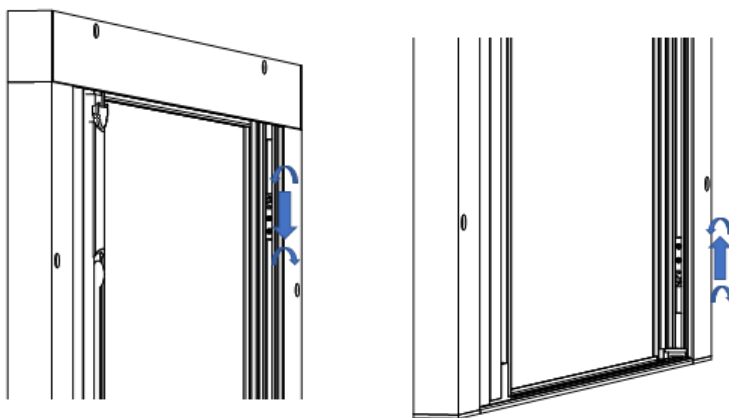


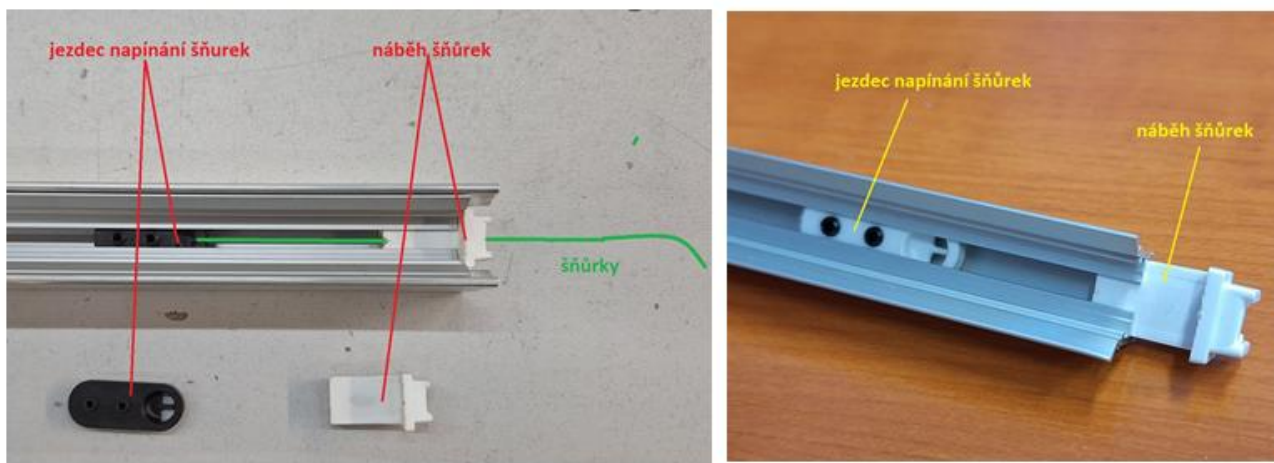
### 2.2.7. Adjusting the tension cords

Adjust the cord tension by moving the **upper** adjusting slider. Check the screen cord tensioning, shut and open the screen several times, fine-adjust the cord tensioning, if needed, by moving the upper or lower adjusting slider.

Adjust the cord tension by moving the **lower** adjusting slider. Check the screen cord tensioning, shut and open the screen several times, fine-adjust the cord tensioning, if needed, by moving the lower or upper adjusting slider.

The best procedure is as follows: one operator completely pushes the screen to the end position and holds the upper and lower parts of the screen, while the other operator uses the tightening sliders to tighten the screen in the magnet profile.





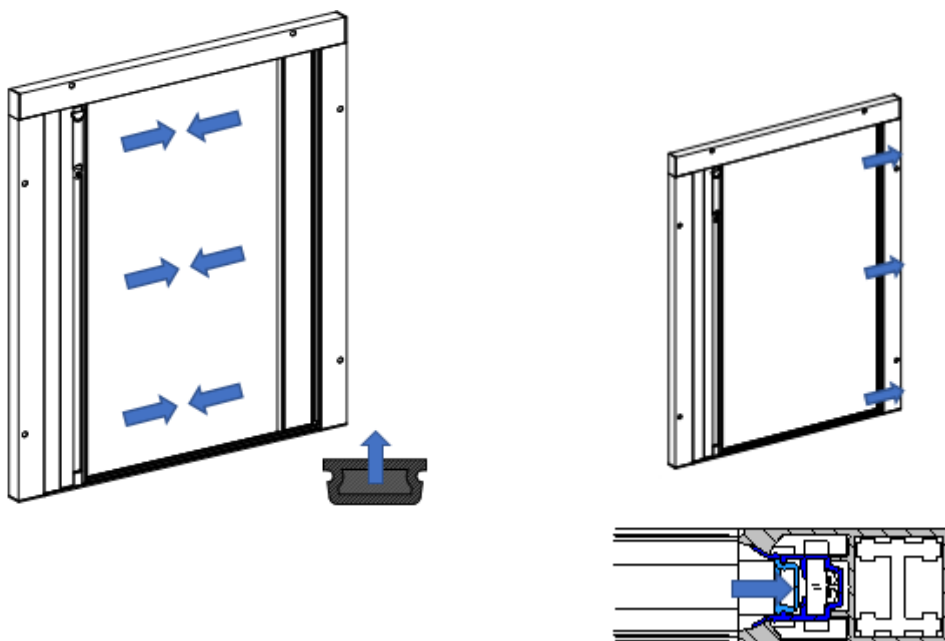
*jezdec napínání šňůrek – cord tensioning slider*

*náběh šňůrek – cord guide*

*šňůrky – cords*

### 2.2.8. Inserting the magnet

Check the correct polarity of the magnet against the KIT magnet polarity. Insert the magnet in the magnet guide profile by pushing until it fits to its desired place. Always start pushing from the bottom.



### 2.2.9. Plastic part with a spring

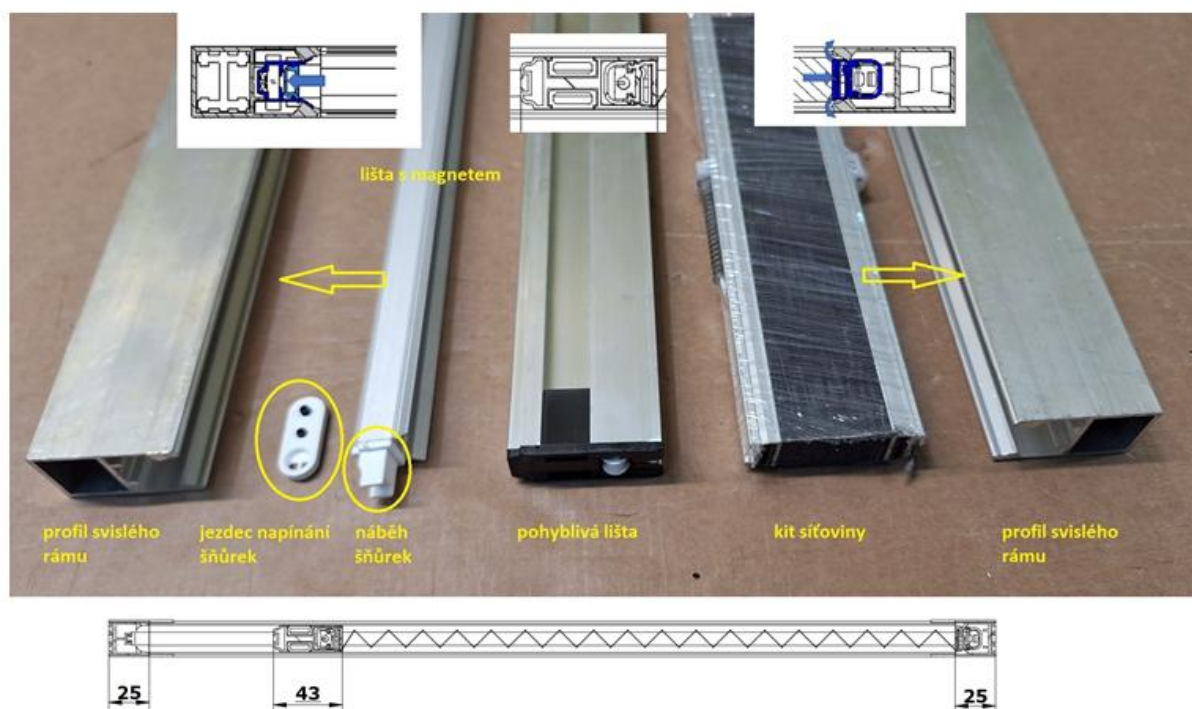
This component is especially recommended for doors that are not at right angles. If the door is at right angles, it is not necessary to use it. Insert the plastic part with the spring in the moving rail of the kit profile. Slightly push the plastic part towards the upper profile and fasten with screw. The plastic part must be elastic. Install in the upper part from the outside.



+



## 2.2.10. Composition and sequence of the profiles



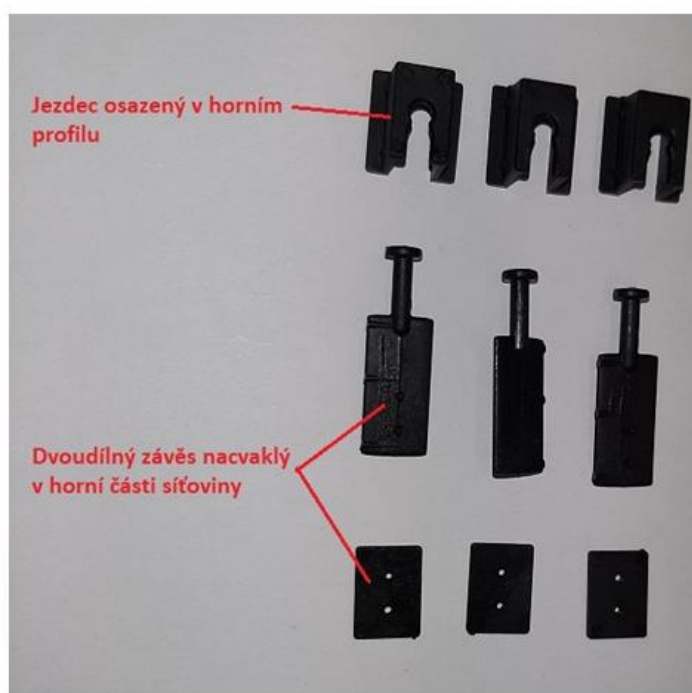
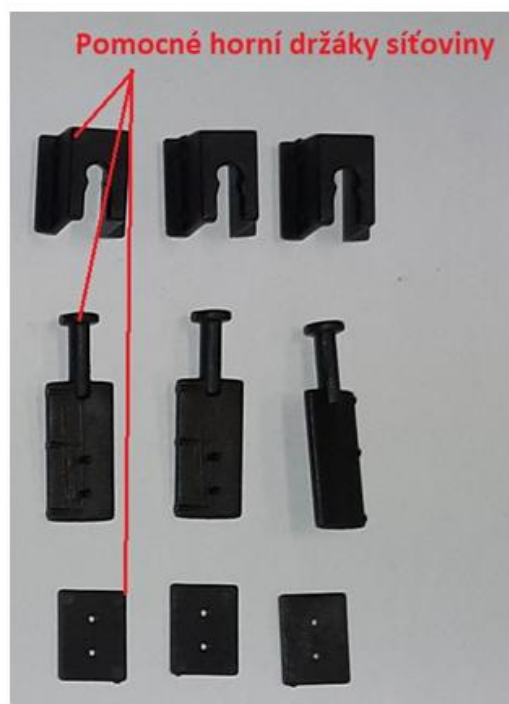
*lišta s magnetem – rail with magnet*  
*profil svislého rámu – vertical frame profile*  
*jezdec napínání šňůrek – cord tensioning slider*  
*náběh šňůrek – cord guide*  
*pohyblivá lišta – moving rail*  
*kit síťoviny – screen kit*  
*profil svislého rámu – vertical frame profile*

WIDTH OF DFM PLEATED INSECT SCREEN	PLEATED SCREEN DIMENSION WHEN FOLDED
Width up to 70 cm	7.7 cm (ca.)
Width up to 100 cm	8.7 cm (ca.)
Width up to 130 cm	9.7 cm (ca.)
Width up to 180 cm	10.7 cm (ca.)
Width up to 280 cm	11.7 cm (ca.)

**This DIMENSION of the pleated screen when folded includes the width of:  
 starting profile + screen + moving profile**

### 3. Using auxiliary screen hangers

If the screen is large or tends to sag, you can use auxiliary screen hangers. Use a plastic stick to fit auxiliary sliders in the upper profile. Then fit the plastic hangers to the screen where desired by clicking the counterpart and fit the hangers in the sliders in the upper profile.



*Pomocné horní držáky síťoviny – Auxiliary upper screen hangers*

*Jezdec osazený v horním profilu – Slider fitted in the upper profile*

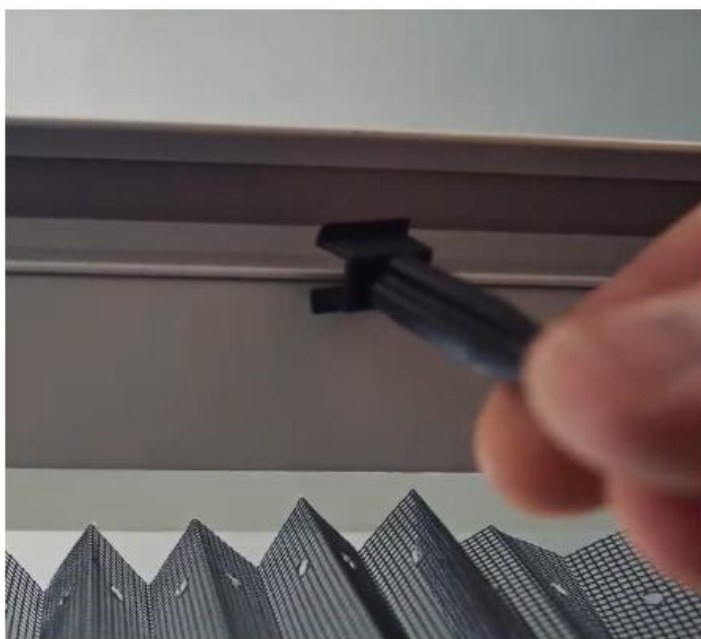
*Dvoudílný závěs nacvaklý v horní části síťoviny – Two-part hanger clicked in the upper part of the screen*

Number of hangers per screen width:

**Up to 1500 mm – 0 pcs**

**1501–2000 mm – 2 pcs**

**2001–2500 mm – 3 pcs**



## Locking the moving rail

*\*Only applies to the old system*

Fit the plastic studs – locks in the lower carriage chambers under the moving rail, see pictures below.

